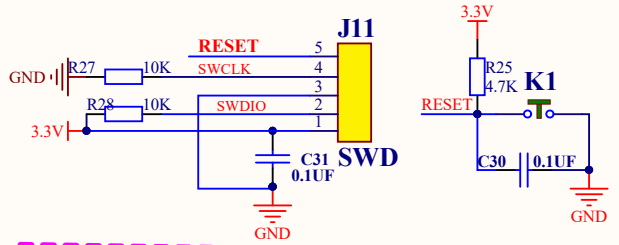
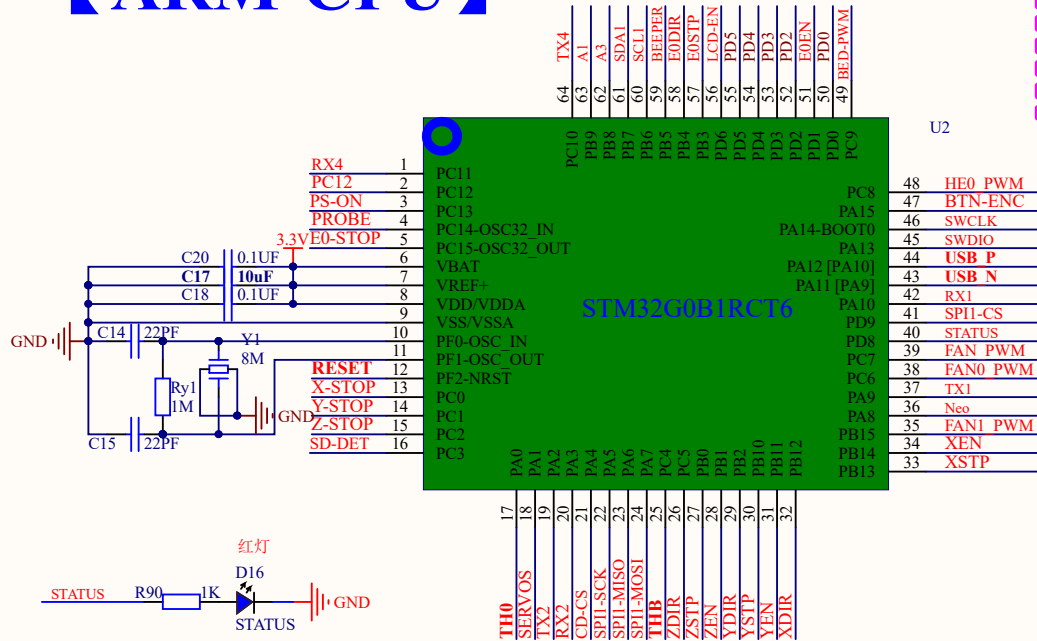


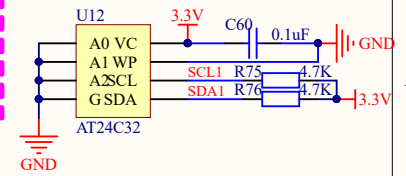
## SWD&RST



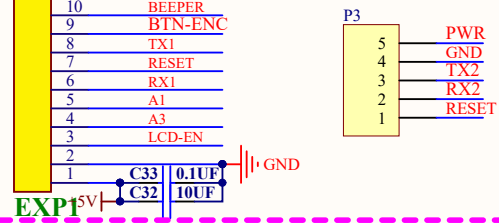
# 【ARM-CPU】



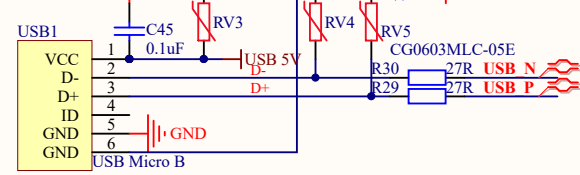
## EEPROM



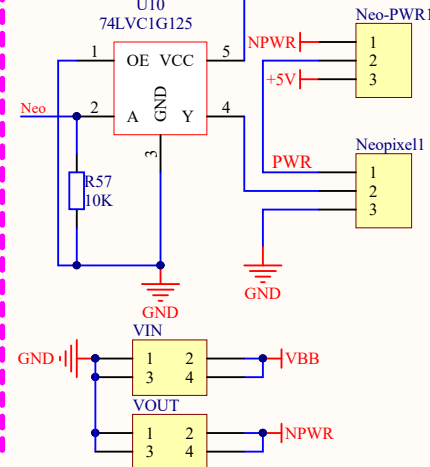
## J10 Display



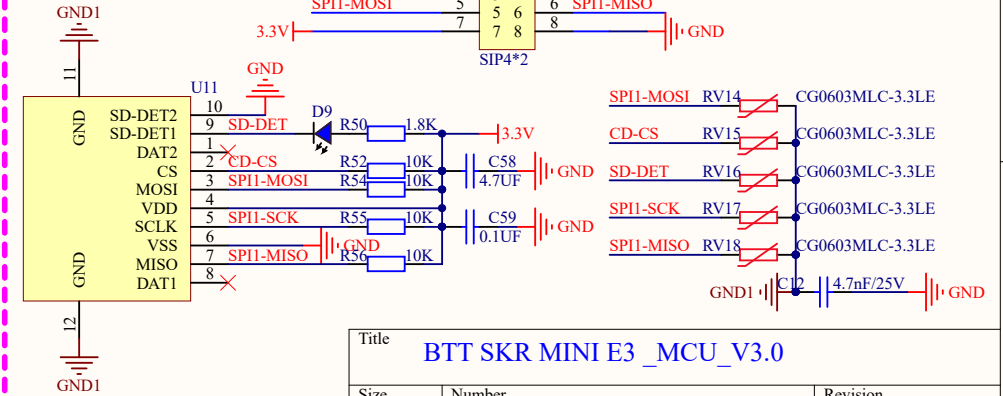
## USB



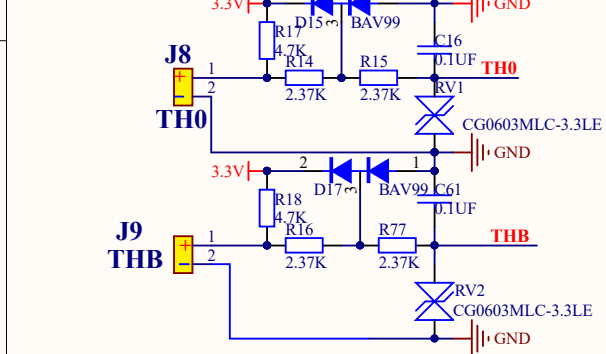
## RGB



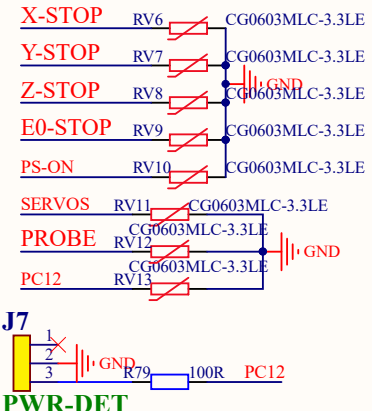
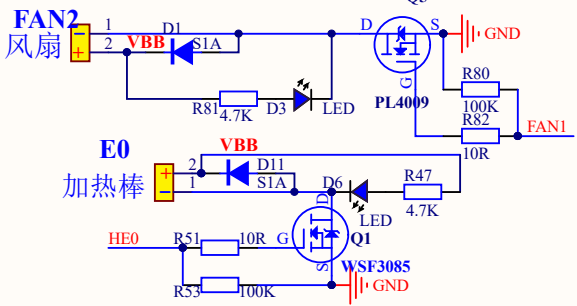
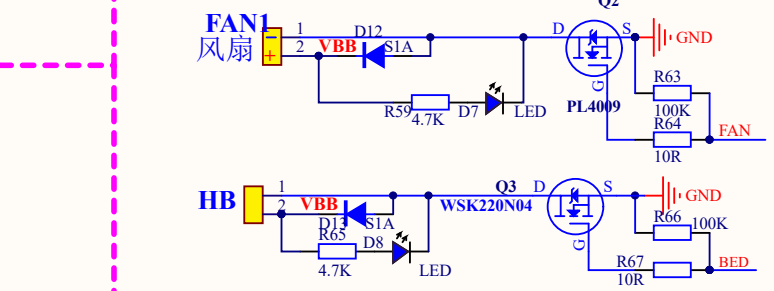
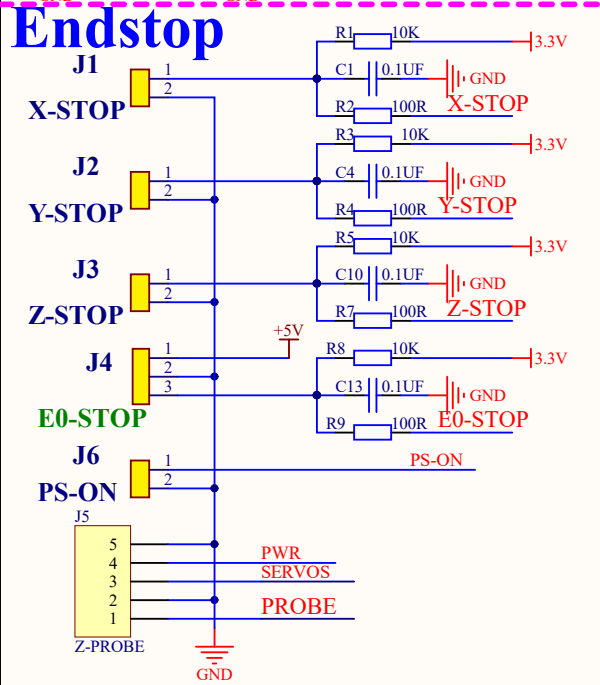
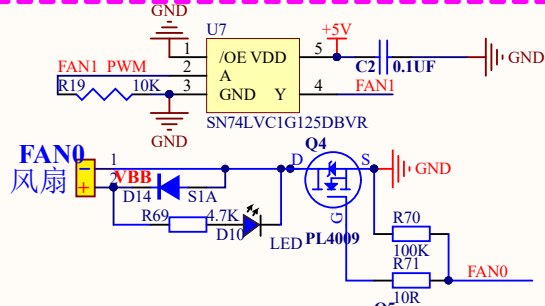
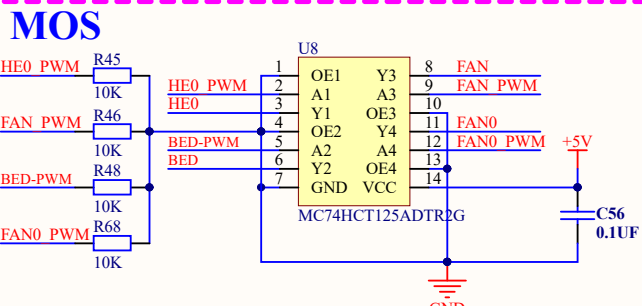
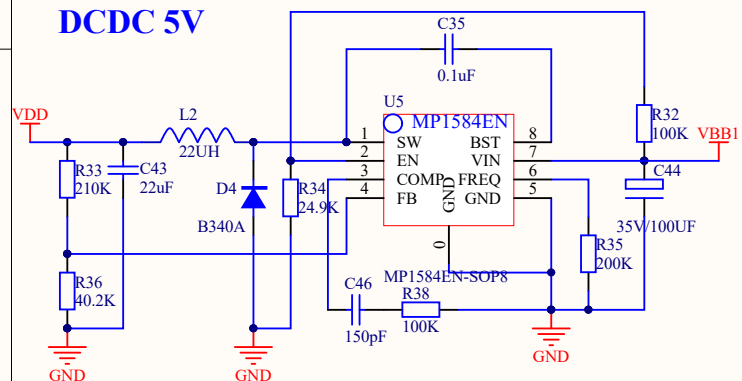
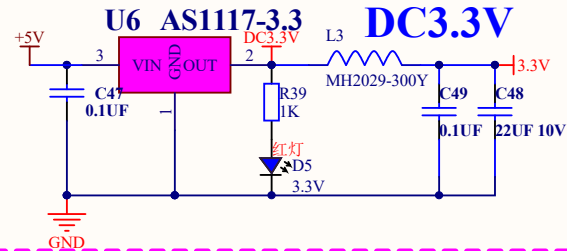
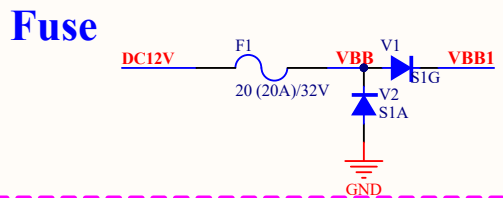
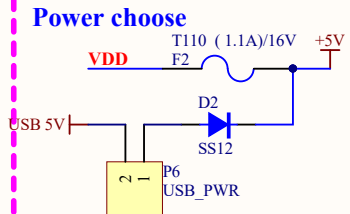
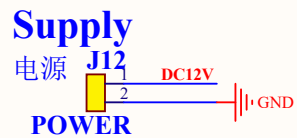
## SD-Card



## Thermistor

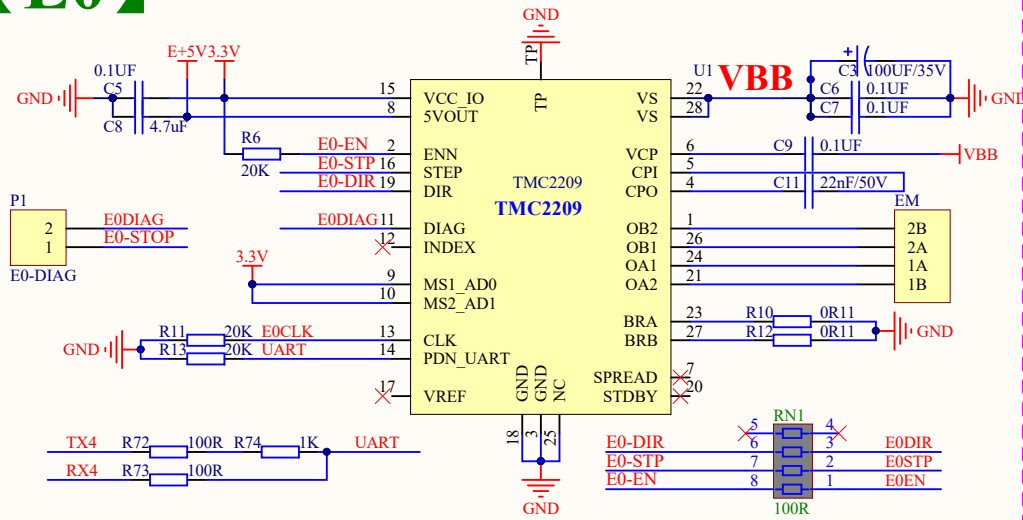


Title			BTT SKR MINI E3_MCU_V3.0		
Size	Number	Revision		V3.0	
A4					
Date:	2021/10/13	Sheet of			
File:	D:\WORK\...\BTT E3 SKR MINI V3.2.Sch	Drawn By:			

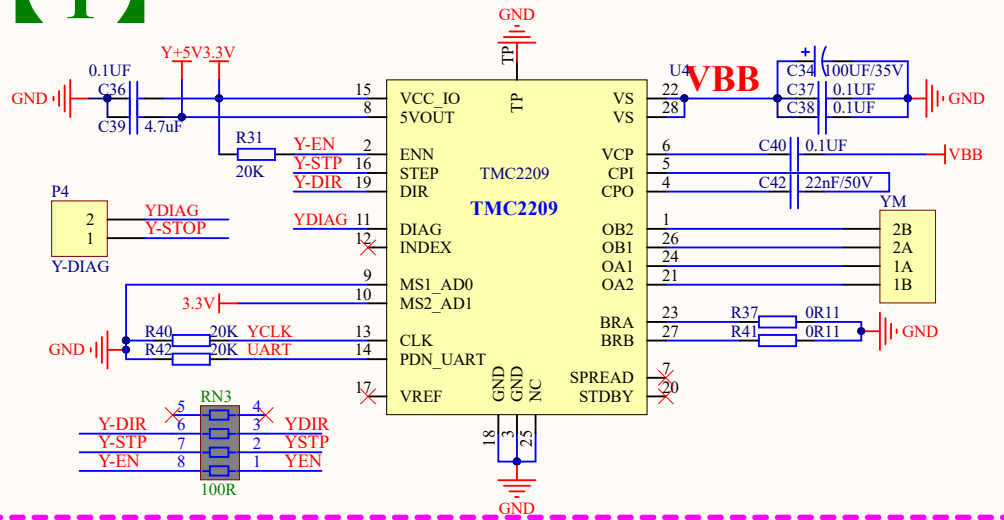


Title		
BTT SKR MINI E3_Power_V3.0		
Size	Number	Revision
A4		V3.0
Date:	2021/10/13	Sheet of
File:	D:\WORK\..BTT E3 SKR MINI Power	V3.0 SchDoc

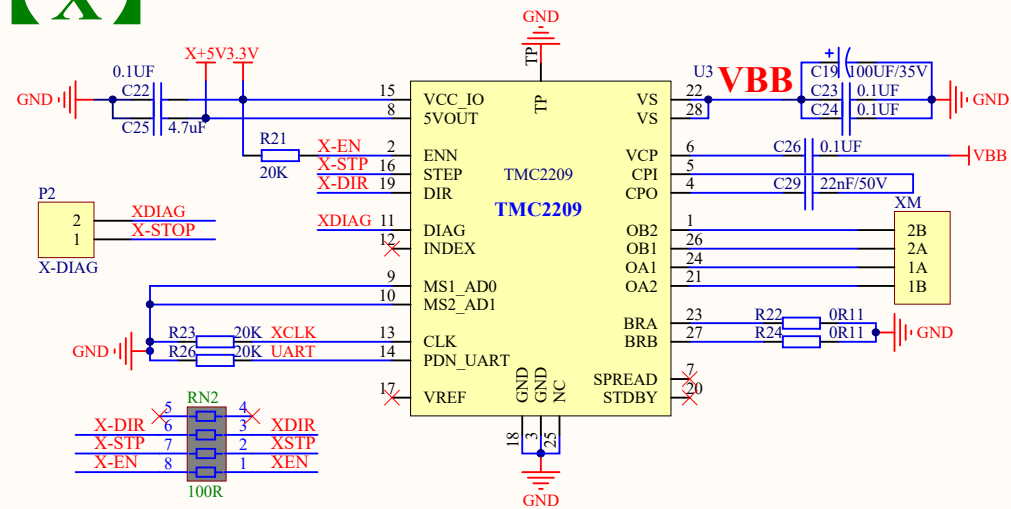
# 【E0】



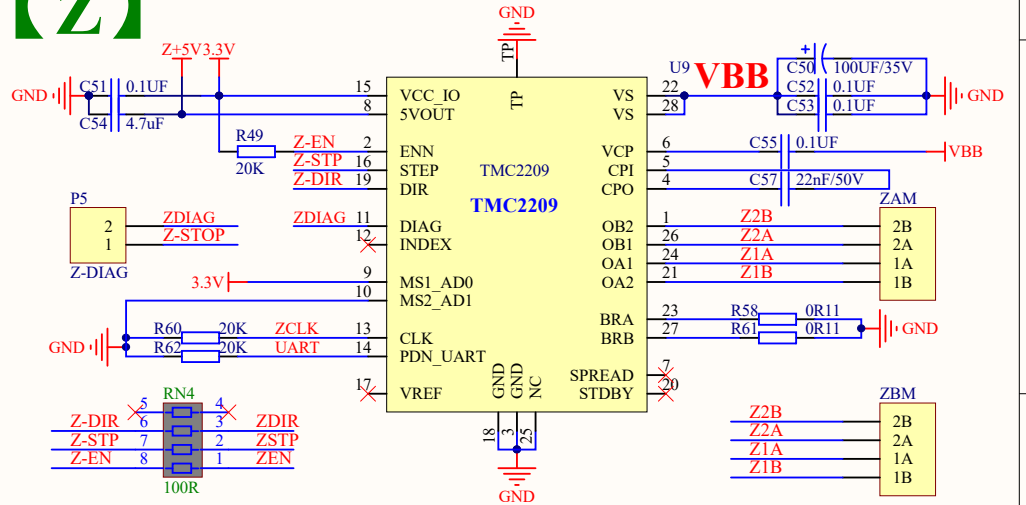
# 【Y】



# 【X】



# 【Z】



Title		
BTT SKR MINI E3_Motor_Drive_V3.0		
Size	Number	Revision
A4		V3.0
Date:	2021/10/13	Sheet of
File:	D:\WORK\...\Motor_Drive_V3.2.SchDoc	Drawn By: